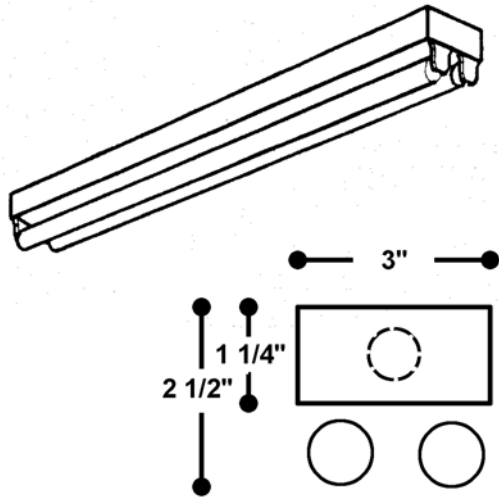


MINI-STRIP FLUORESCENT

TWO LAMP T8 ELECTRONIC
MEETS NYC REQUIREMENTS

SERIES MS206



PROJECT:

FIXTURE TYPE:

CATALOG NO.:

VOLTS:

BALLAST TYPE:

DATE:

APPLICATIONS: The T8 mini strip now offers the specifier a low profile self ballasted strip for lighting applications that could only be accomplished before by using remote ballasted strips. T8 lamps along with electronic ballasts offer high lumin output and the flexibility to light those hard to fit areas. Ideal for a variety of utility and display lighting needs. Welded construction and quality components assure long trouble free life.

SPECIFICATIONS

CONSTRUCTION: The housing and ends are die formed of 20 GA cold rolled steel (CRS), rigidly fabricated and electrically welded to insure true and perfect alignment.

BALLAST: 17w, 25w, 32w, or 40 watt fully electronic T8, parallel instant start, high power factor, Class "A" sound rated, UL listed for 120 V 60 Hz operation are standard. Ballasts <10% THD along with other voltages and frequencies are also available. (CONSULT FACTORY).

MOUNTING: Installed flush with ceiling surface or in coves and cabinets, individually or in continuous rows. For continuous mounting, end knock outs may be removed and units joined together. Adequate knockouts and holes are provided for mounting and feeds.

FINISH: All steel components parts are corrosion protected and coated baked white synthetic polyester for maximum durability.

CERTIFICATION: U.L. listed and I.B.E.W. Union made.

ORDERING INFORMATION

CATALOG #	LAMP	BALLAST	LENGTH
MS206217T8	2-F17W-T8	ELECTRONIC	24"
MS206225T8	2-F25W-T8	ELECTRONIC	36"
MS206232T8	2-F32W-T8	ELECTRONIC	48"
MS206240T8	2-F40W-T8	ELECTRONIC	60"
MS206225T8T	4-F25W-T8	ELECTRONIC	72"
MS206232T8T	4-F32W-T8	ELECTRONIC	96"

OPTIONAL: Emergency battery backup (add suffix "EML")

Electronic dimming ballast (add suffix "DIM")

CROWNLITE MFG. CORP. 1546 Ocean Ave., Bohemia, L.I., N.Y. 631.589.9100, Fx 631.589.4584

Information supplied may change without notice. Consult factory for verification, samples, and minimum quantities. Copyright 2001